

4WE series directional control valves are solenoid operated directional spool valves, these valves are used to the start, stop and direct oil flow.



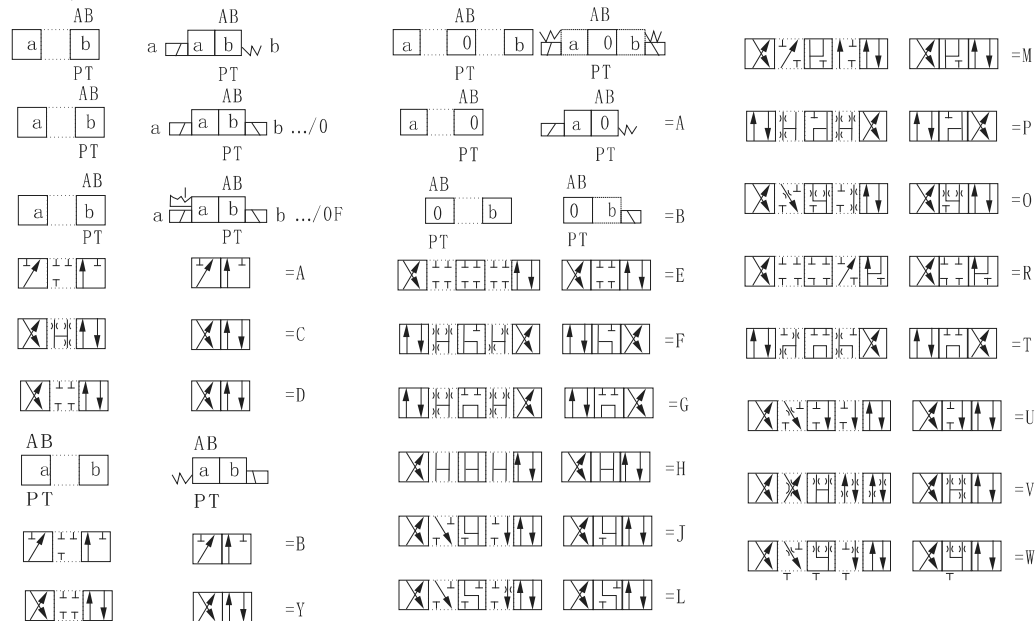
Ordering details

Technical specification

Model		4WE4	4WE5	4WE6	4WE10
Max. flow rate (l/min)		20	14	80	100
Working pressure (MPa)		A,B,P port	A,B,P port	A,B,P port	A,B,P port
		31.5	25	31.5	31.5
		T port	T port	T port	T port
		10	6	16	16
Weight (kgs)	Single solenoid	0.83	1	1.5	4.8
	double solenoids	1.1	1.4	2.2	6.1

4WE	6	E	60	O	G24	N	Z4L
Sort	Nominal size	symbols	Series number	Spool return	Input voltage	Manual override	Connector type
4/3 and 4/2 Solenoid operated directional valve	4:NG4 5:NG5 6:NG6 10:NG10	See symbols list	50:WE4 60:WE5,6 30:WE10	No code: Spring return O: Without spring return OF: Without spring return with detent.	G12:DC12 G24:DC24 W220:AC220 W110:AC110 W220R:RAC220 W110R:RAC110	No code: Without manual override N: With manual override	Z4: Standart plug-in connector Z4L: Plug-in connector with light

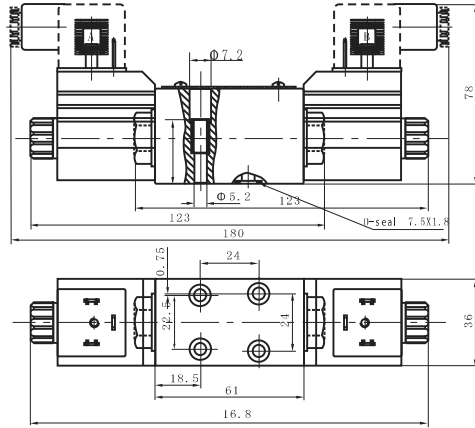
Symbol list



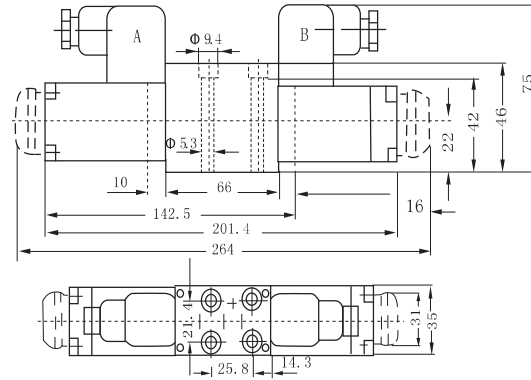
Dimensions

Unit: mm

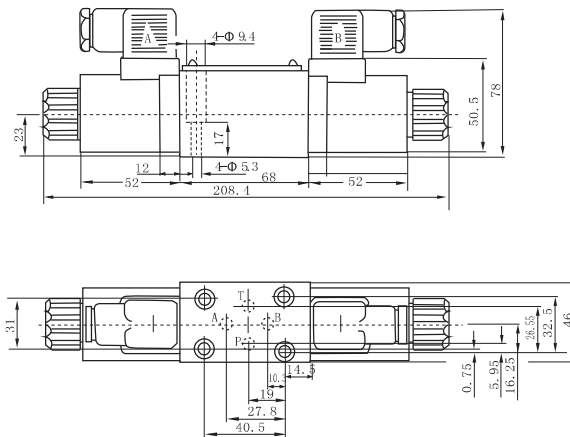
4WE4



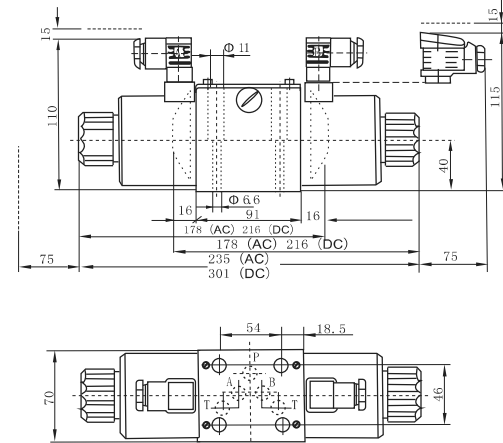
4WE5



4WE6



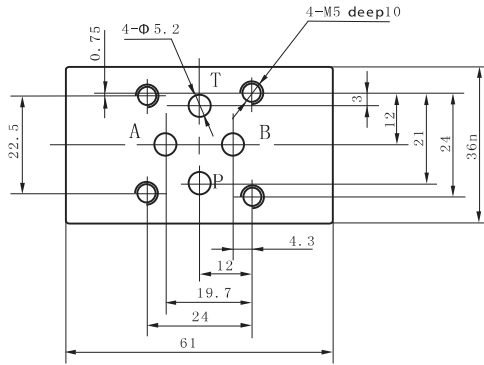
4WE10



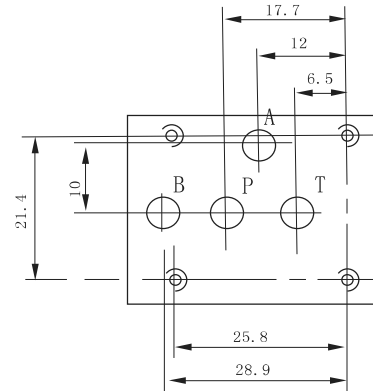
Mounting dimensions

Unit: mm

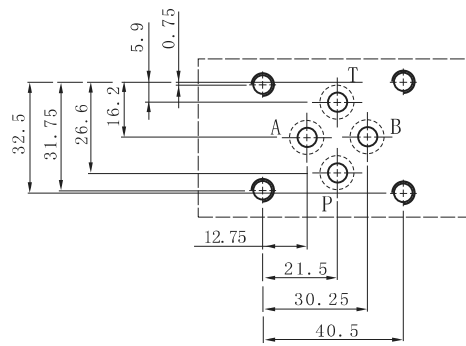
4WE4



4WE5



4WE6



4WE10

